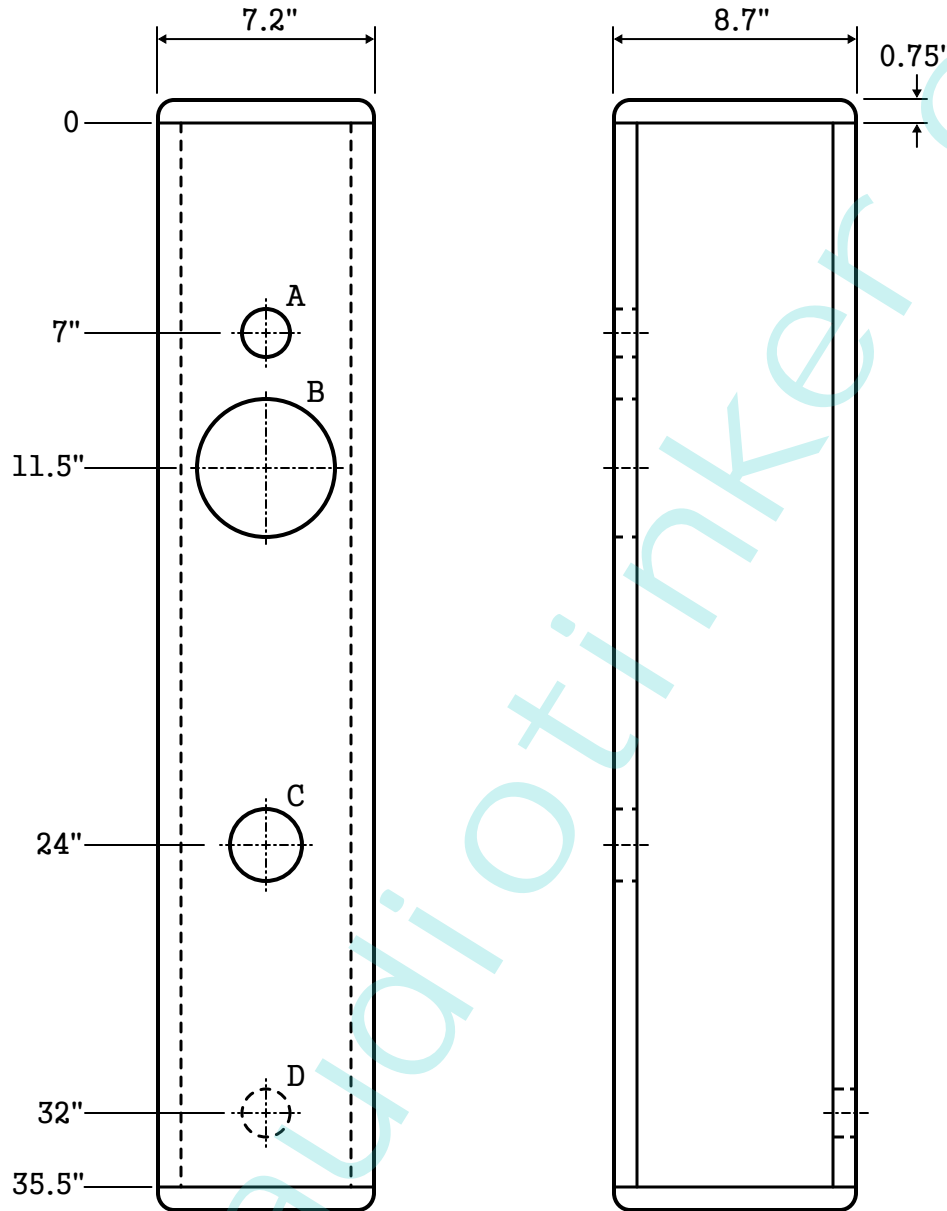


MLTL

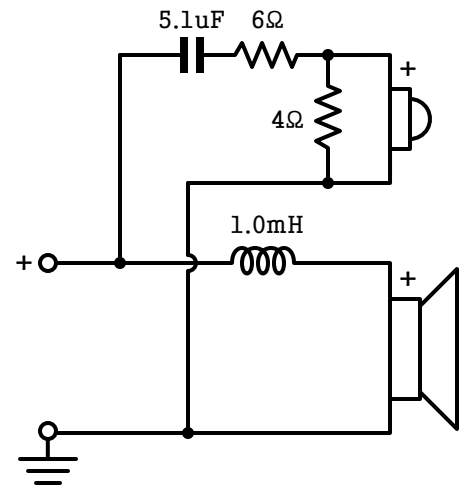
REVISION

A

- Mass Loaded Transmission Line Speaker (MLTL)
- High Value, Low Budget
- Simple 60W 2-way design and Minimalist crossover
- Designed & drawn by Petter Blix



CROSSOVER (P-E PART#):
 5.1uF CAPACITOR: 027-423
 1.0mH INDUCTOR: 257-826
 6Ω RESISTOR: 004-6
 4Ω RESISTOR: 004-4



NOTES:

- ROUND-OVER ALL CORNERS 1/2"
- RECOMMENDED COMPONENTS, ALL FROM PARTS-EXPRESS.COM:
 - TWEETER: 264-1024 PEERLESS BC25SC55-04
 - WOOFER: 264-1078 PEERLESS 830656, 5 1/4"
 - PORT: 260-402 GOLDWOOD 1 1/2" X 4" TUBE
 - TERMINAL CUP: 260-294 SPRING TYPE
- HOLES AS MARKED ON DRAWING ABOVE, FOR COMPONENTS LISTED:
 - 'A' - TWEETER: 1 3/4" HOLE THRU
 - 'B' - WOOFER: 4 3/4" HOLE THRU
 - 'C' - PORT: 2 9/16" HOLE THRU
 - 'D' - TERMINAL CUP: 1 7/8" THRU, (OPPOSITE SIDE)
- PORT:
 - PORT DIAMETER: 1 1/2"
 - PORT LENGTH: 3.5"
- STUFFING: .25lbs/ft³ PILLOW FILL, EVENLY PLACED AT TOP 2/3 OF CABINET

DISCLAIMER
 THIS SCHEMATIC IS PROVIDED FOR
 EDUCATIONAL PURPOSE ONLY. PERIOD.

COPYRIGHT NOTICE
 THIS DOCUMENT IS AVAILABLE FOR FREE AT
 WWW.AUDIOTINKER.COM FOR PERSONAL USE
 ONLY. DO NOT COPY, DISTRIBUTE, PUBLISH,
 SHARE ETC. WITHOUT WRITTEN CONSENT
 FROM THE COPYRIGHT HOLDER.